

Day/Night Vandal-Proof Network Dome Camera

Quick Installation Guide

This guide describes the basic functions of Network Dome Camera. All detailed information is described in the user's manual.

1 Check Package Contents

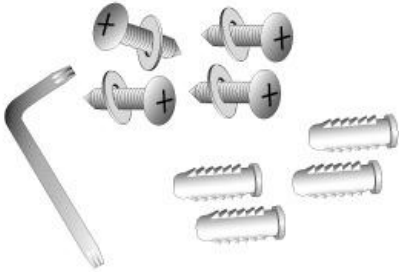
● Network Dome Camera



● Power Adapter



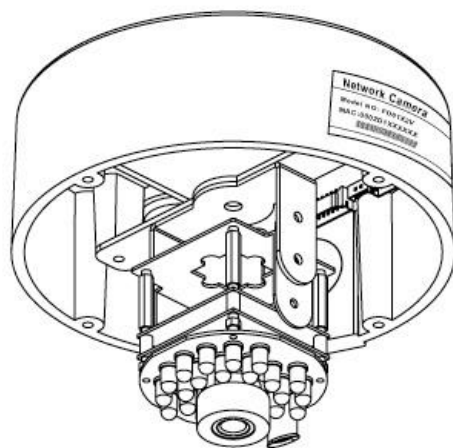
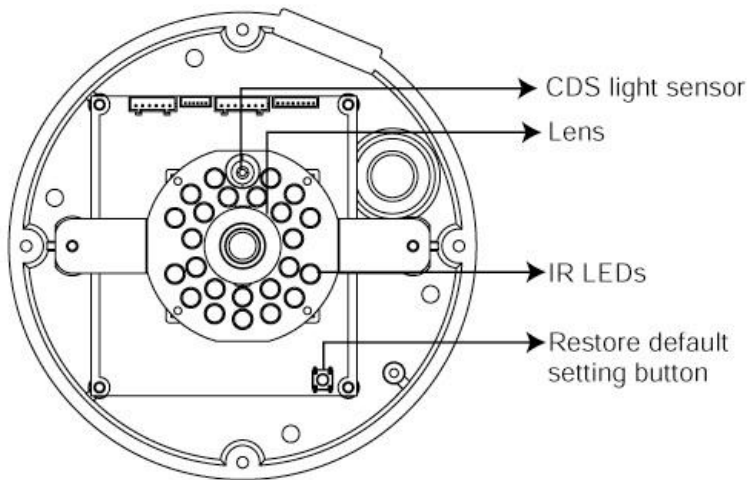
● Screw Pack



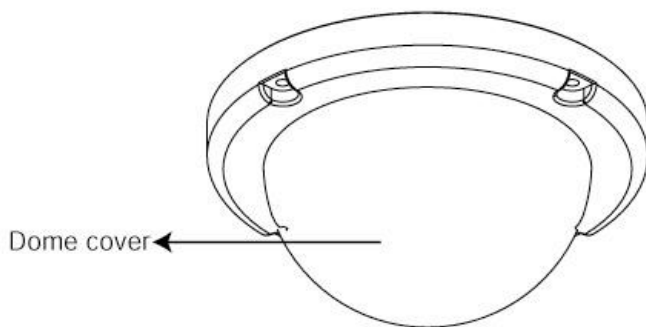
● Software CD



2 Physical Description

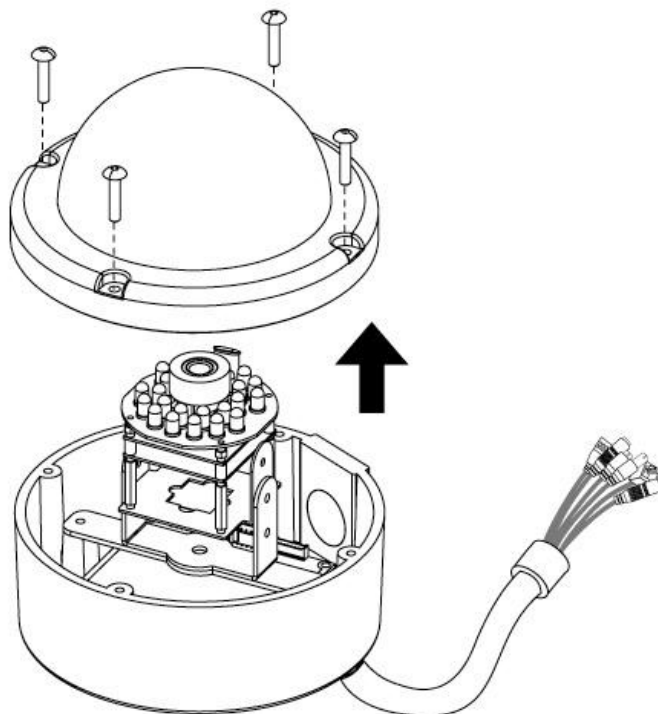


Note the serial number on the label of the unit.
 The serial number is the same as the Ethernet address,
 for example: 0002D1000012=00-02-D1-00-00-12

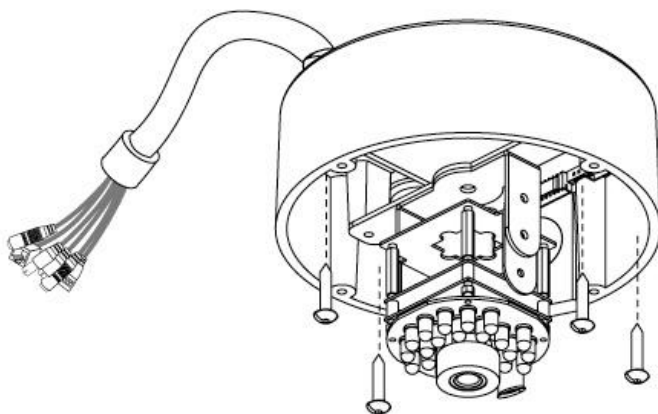


3 Installation

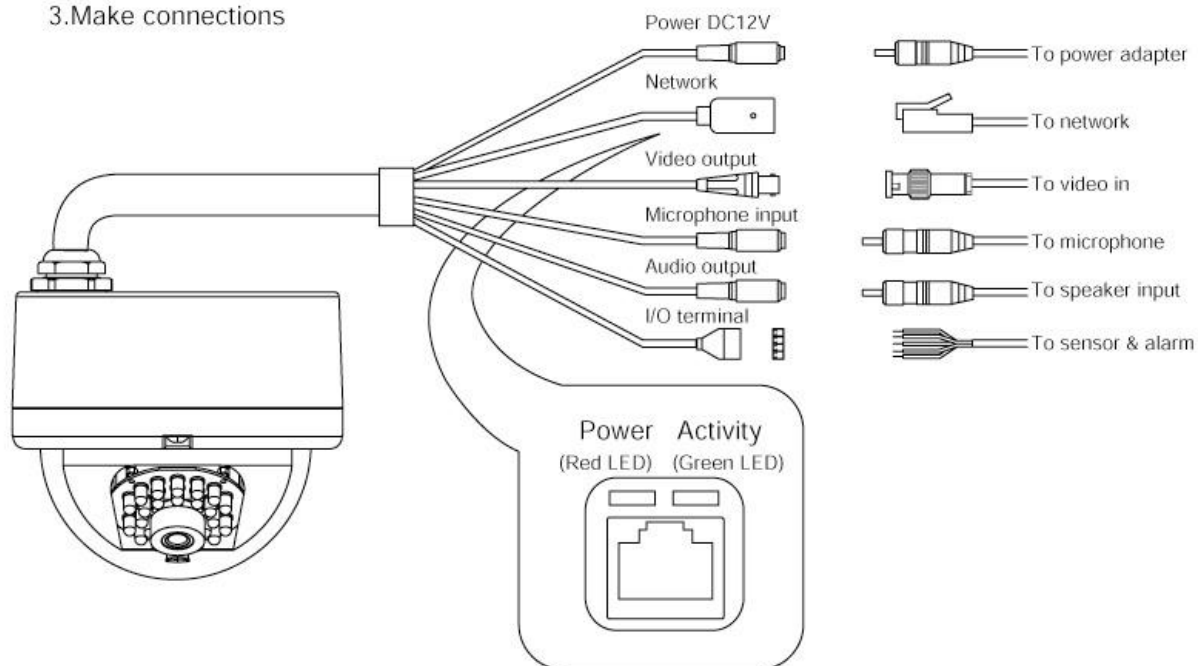
1. Use the supplied wrench to remove the dome cover



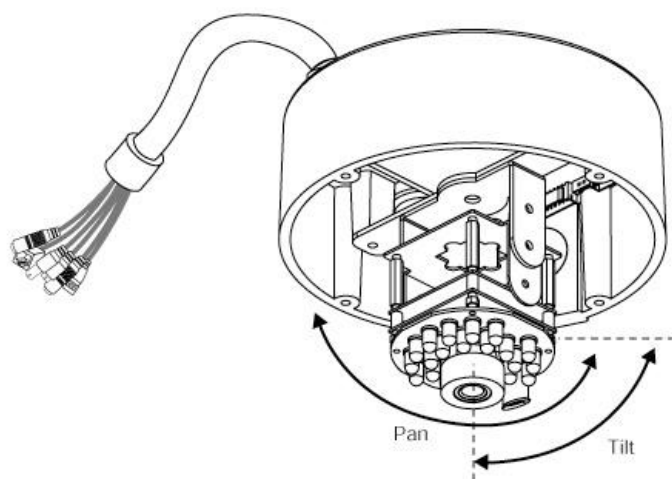
2. Fix the camera to the wall/ceiling with four supplied screws



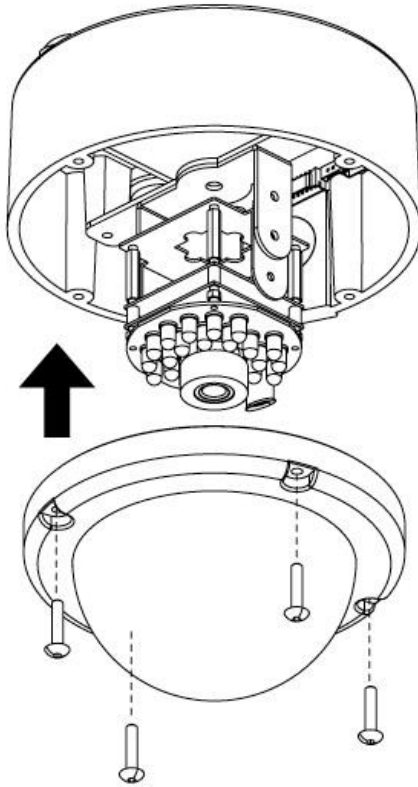
3. Make connections



4. Use the pan/tilt mechanism to set the camera to a proper position



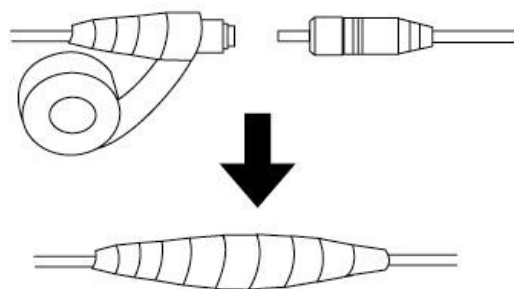
5. Attach the dome cover back to the camera



*** Waterproof Process**

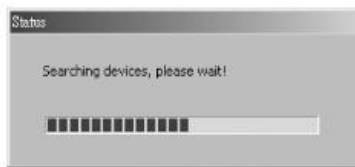
To completely avoid the camera from water soak, apply waterproof process if necessary.

- Utilize silicone clay or similar waterproof material applied to the screws, screw holes and other necessary portions.
- Tape the junction points of the connectors on the cable.

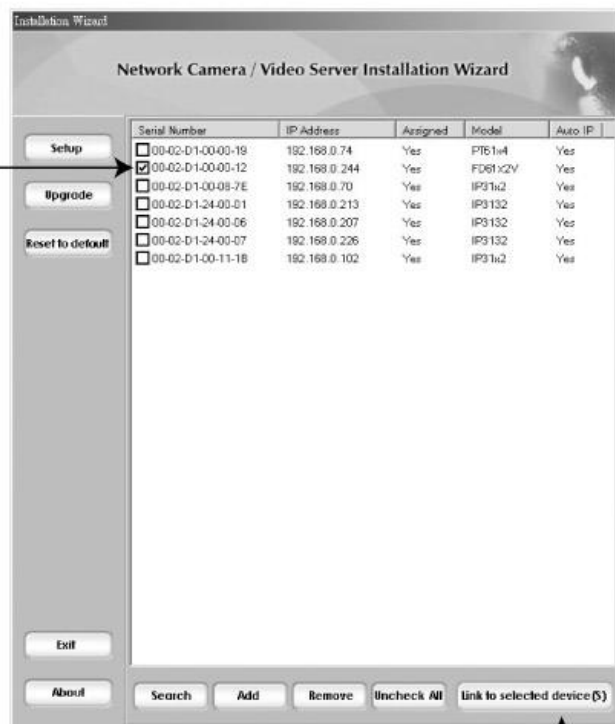


4 Assign IP Address

1. Run the "Installation Wizard" under "Utility" directory on the software CD.
2. The program will search Video Servers or Network Cameras on the same LAN.



3. After searching, the main installer window will pop up. Click on the serial number that matches your Network Camera's serial number.

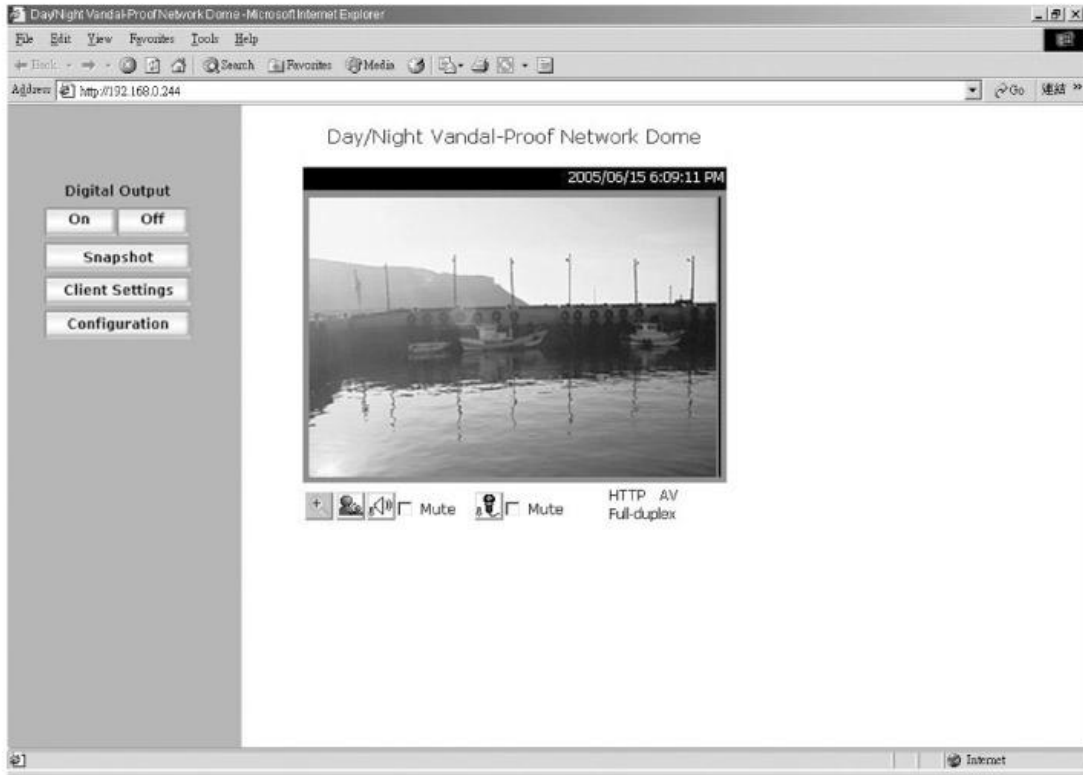


4. Click "Link to selected device(s)" to connect the Internet Explorer to the Network Camera.

* If there is no DHCP server on the LAN, please refer to the user's manual for the methods of assigning an IP address.

5

The Internet Explorer Connects to the Network Camera



For further setup, please check the user's manual on the software CD.